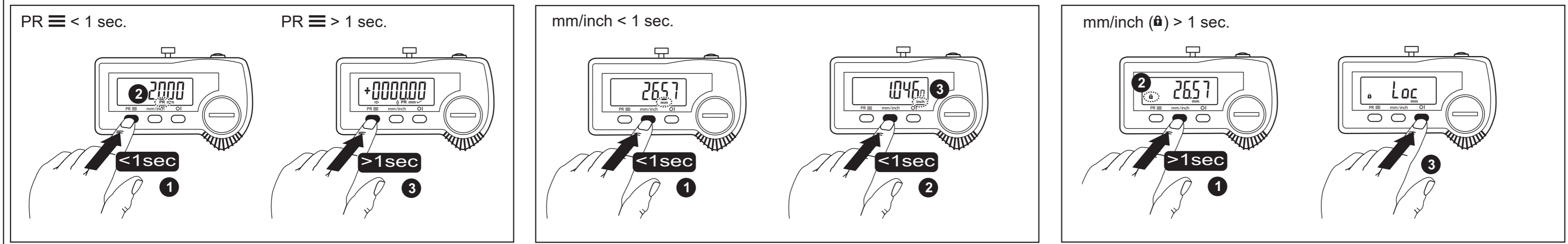




8.4 Direkte Tastenfunktionen 8.4 Direct button functions 8.4 Fonctions de touches directes 8.4 Funciones de teclas directas 8.4 Funzioni dei tasti diretti 8.4 直接键功能

Table with 6 columns and 4 rows detailing button functions like PR, mm/inch, IO, and ON/OFF for various durations (< 1 sec, > 1 sec).

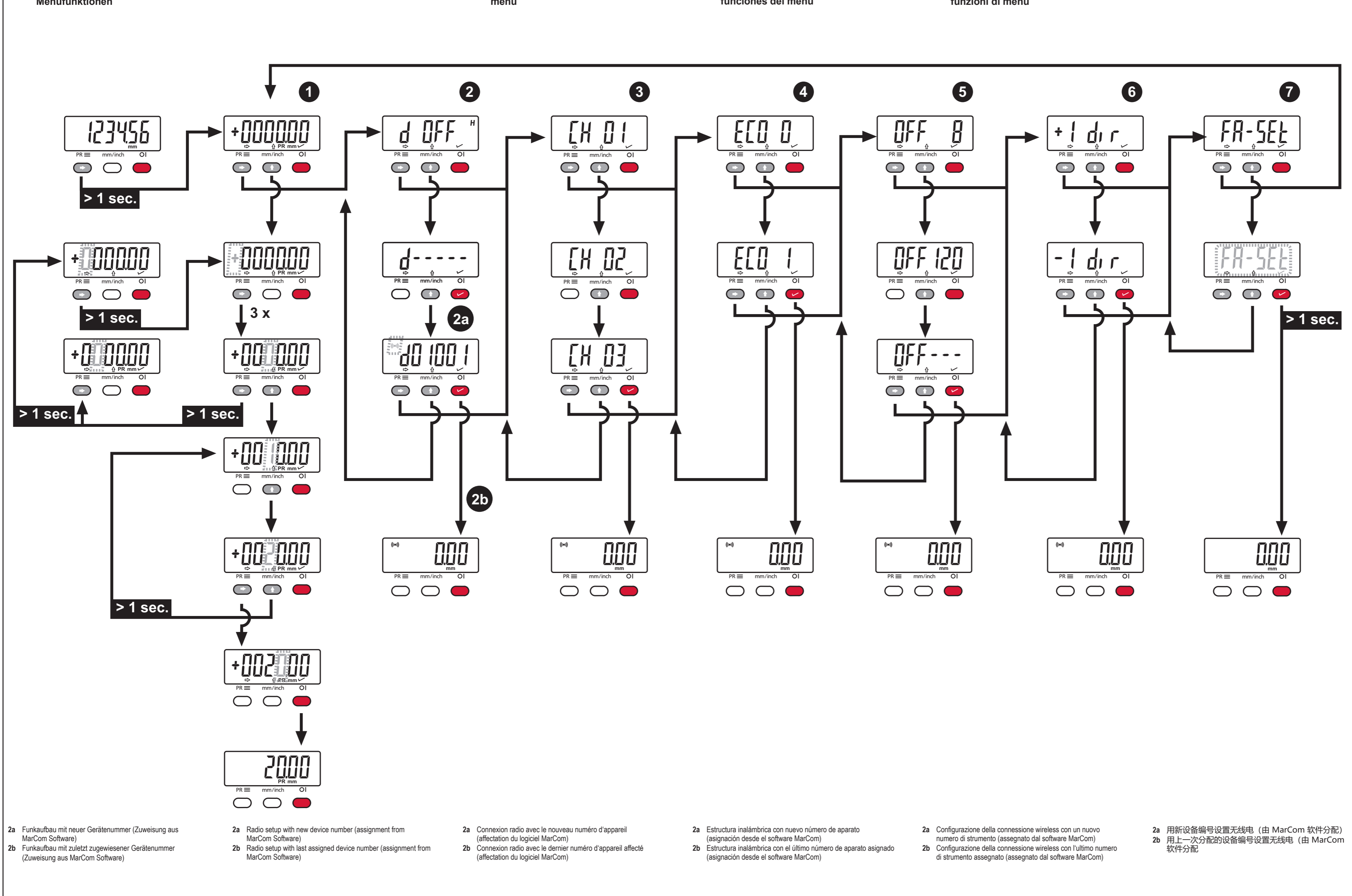


8.5 MENÜ 8.5 MENU 8.5 MENU 8.5 MENÜ 8.5 MENU 8.5 菜单键包含的功能

Table with 6 columns and 1 row detailing menu navigation instructions in multiple languages.

Table with 6 columns and 1 row detailing menu functions like PR, d/off, CH 01, ECO 0, OFF 0, +1 dF, and FA-SET.

8.5.3 Strukturdiagramm der Menüfunktionen 8.5.3 Structure diagram of menu functions 8.5.3 Organigramme des fonctions de menu 8.5.3 Diagrama estructurado de las funciones del menú 8.5.3 Diagramma di struttura delle funzioni di menu 8.5.3 菜单功能结构图



9. Displaymeldungen 9. Display Messages 9. Affichage de message 9. Mensajes de pantalla 9. Note sullo smaltimento 9. 提示信息

Table with 6 columns and 1 row detailing the 'Loc' / individual functions locked message.

Table with 6 columns and 1 row detailing the battery symbol / Lo Bat message.

Table with 6 columns and 1 row detailing the 'no dAt' error message.

Table with 6 columns and 1 row detailing the 'no dAt' error message.

Table with 6 columns and 1 row detailing the 'no dAt' error message.

Table with 6 columns and 1 row detailing the 'no dAt' error message.

Table with 6 columns and 1 row detailing the 'no dAt' error message.

Table with 6 columns and 1 row detailing the 'Bestätigung der Rückführbarkeit' (Confirmation of traceability) in multiple languages.

Table with 6 columns and 1 row detailing disposal instructions (Entsorgungshinweise) in multiple languages.

Table with 6 columns and 1 row detailing the 'no dAt' error message.

Table with 6 columns and 1 row detailing the EU/UK Conformity Declaration in multiple languages.

Mahr logo and product information for MarCal 18 EWRI, including contact details and a reference to the operating instructions.

Operating instructions summary in multiple languages, including 'Bedienungsanleitung' and '操作使用说明书'.

Japanese Radio Law and Japanese Telecommunications Business Law Compliance notice.

FCC Compliance notice regarding electromagnetic interference and FCC ID N32M1825EWRI.

Industry Canada Compliance notice regarding RSS standards and transmitter power.

Mexico compliance notice regarding electromagnetic interference and FCC ID N32M1825EWRI.

Korea compliance notice regarding electromagnetic interference and FCC ID N32M1825EWRI.

Additional regulatory information in multiple languages.

Additional regulatory information in multiple languages.

Additional regulatory information in multiple languages.

Additional regulatory information in multiple languages.

Additional regulatory information in multiple languages.

Additional regulatory information in multiple languages.

Additional regulatory information in multiple languages.

Additional regulatory information in multiple languages.

Additional regulatory information in multiple languages.

Additional regulatory information in multiple languages.

Additional regulatory information in multiple languages.

Additional regulatory information in multiple languages.

Additional regulatory information in multiple languages.